

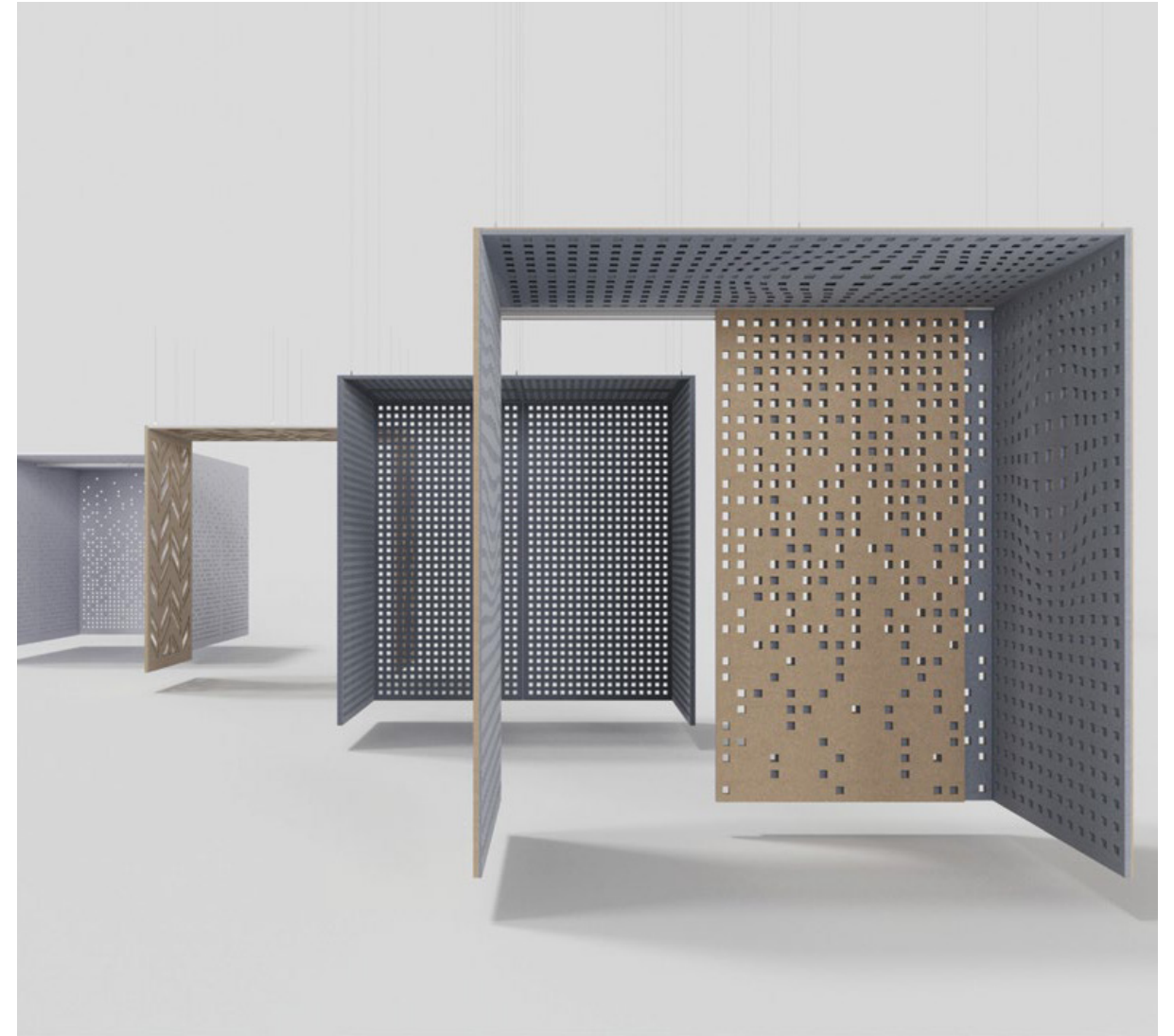
SUSPENDED OFFICE



EZO
B O R D



MEET SUSPENDED OFFICE



There really is no “one size fits all” solution, privacy encompasses many different needs and behaviors, each form of privacy – acoustical, informational or visual, helps people to feel free, to share ideas and to make work visible.

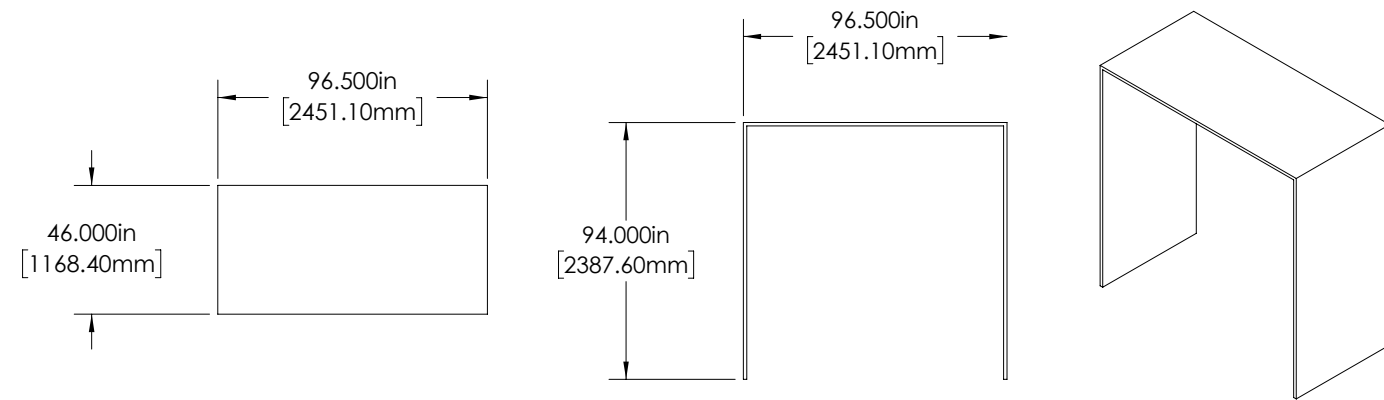
Designed in collaboration with **B2Lab**, Suspended Office is an ecosystem of spaces that re-define the privacy of the work area and shape collaborative work.

Featuring Ezobord acoustical surface materials in a variety of visually interesting patterns, colors, and configurations that perfectly balance design and functionality.

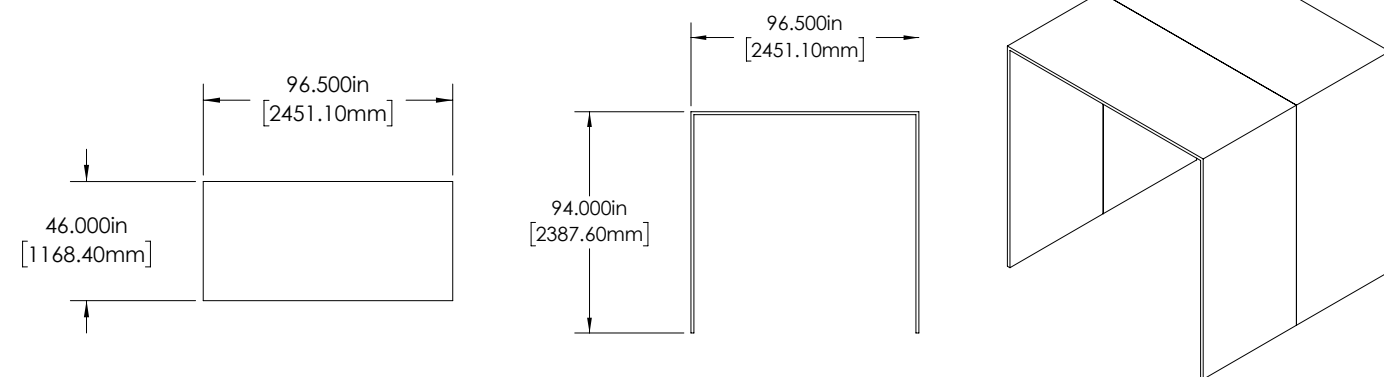
SUSPENDED OFFICE

CONFIGURATION OPTIONS

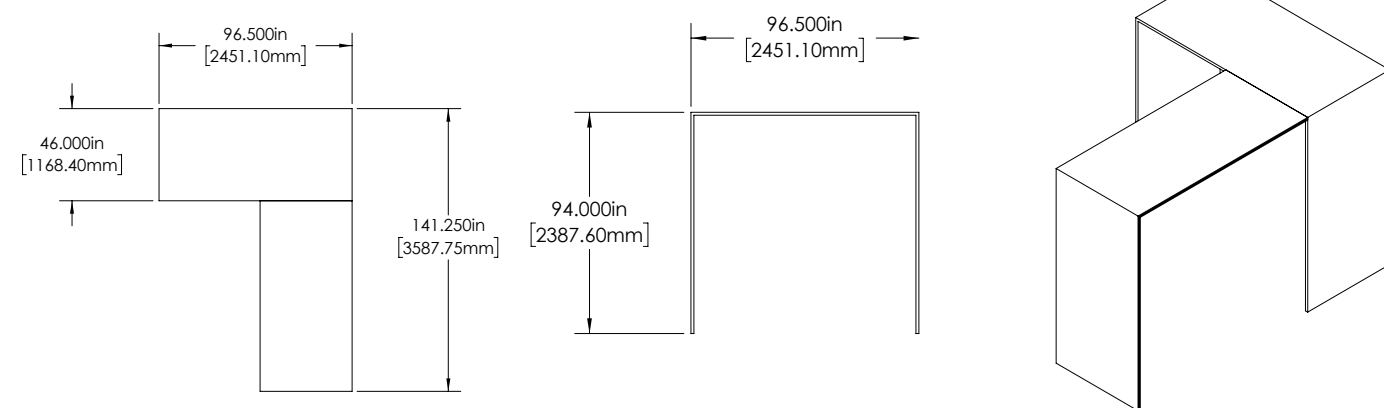
SINGLE MODULE



DOUBLE MODULE



“L” SHAPE



*Design capable of off-modular configurations



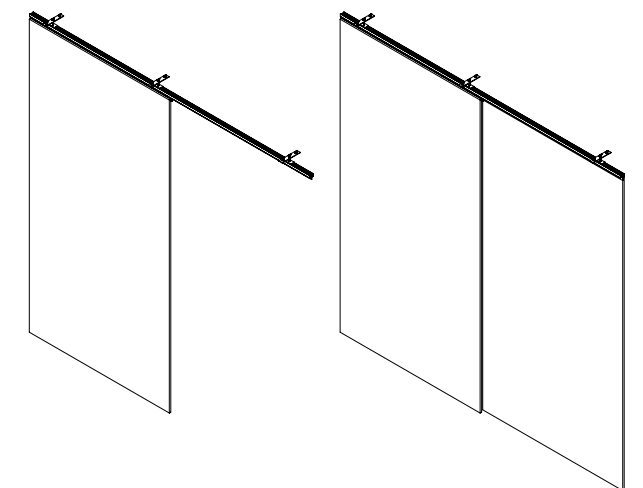
ACCESSORIES

ANTI-MICROBIAL TREATMENT:

To be Covid-19 prepared, the unit could be coated with a revolutionary bonded antimicrobial technology for polymers and textiles AEGIS® if requested.

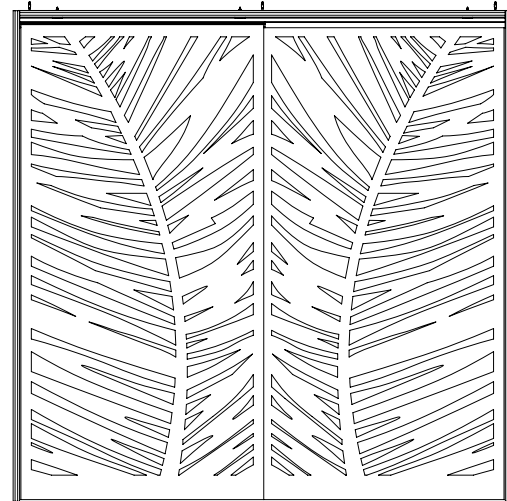
PRIVACY DOOR:

Single or double doors are available for the units, a counterweight is required when a single door is added to only one side, contact us for more information.



SPECIFICATIONS

SUSPENDED OFFICE



SIZES

Available in four widths and lengths

LENGTHS 96.5" (2451 mm)

HEIGHT 94" (2388 mm)

WIDTH 46" (1168 mm)

THICKNESS 3 layers of 9mm or 12 mm

Multiple configurations available.

COMPOSITION

100% Polyester (min 50% (+/-) recycled PET Fibre).

PRODUCT VARIANCES

Variation in fiber mix and colour may occur. All products will be supplied within commercial tolerances.

CLEANING

Remove dust and dirt with a stiff plastic bristle brush. Distilled water can be used to remove stains. Always use a soft, clean cloth and blot dry. Vacuuming works great as well.

PRODUCT VARIANCES

Variation in fiber mix and color may occur. All products will be supplied within commercial tolerances.

FIRE TESTING

NORTH AMERICA:

- ASTM E-84 Class A*
- CAN ULC S102-10

EUROPE AND UK:

- EN13501-1: 2007

** Upon request, 1/2"(12mm) sheet material is treated with USA origin post-production flame retardant to Class A surface burning characteristics. Post sheet production FR treatment does not contain any Red List Restricted Chemicals and complies with California Proposition 65. Contact customer service for technical information, test data and safety data sheets for flame retardant*

ACOUSTICS

NRC.80

ENVIRONMENT

Made with recycled polyester fiber, 50% +/- of which comes from recycled water bottles which contributes to LEED MR credit of Recycled content. No VOC's. ezoBord has an approved Environmental Product Declaration with EPD, HPD. No VOC's: CDPH v1.2 and REACH SVHC Compliant. Third Party Health Product Declaration (HPD) and Environmental Product Declaration (EPD) are available. ezoBord is listed in Mindful MATERIALS Library. **This product is ADA Compliant: ADA - ICC A117.1

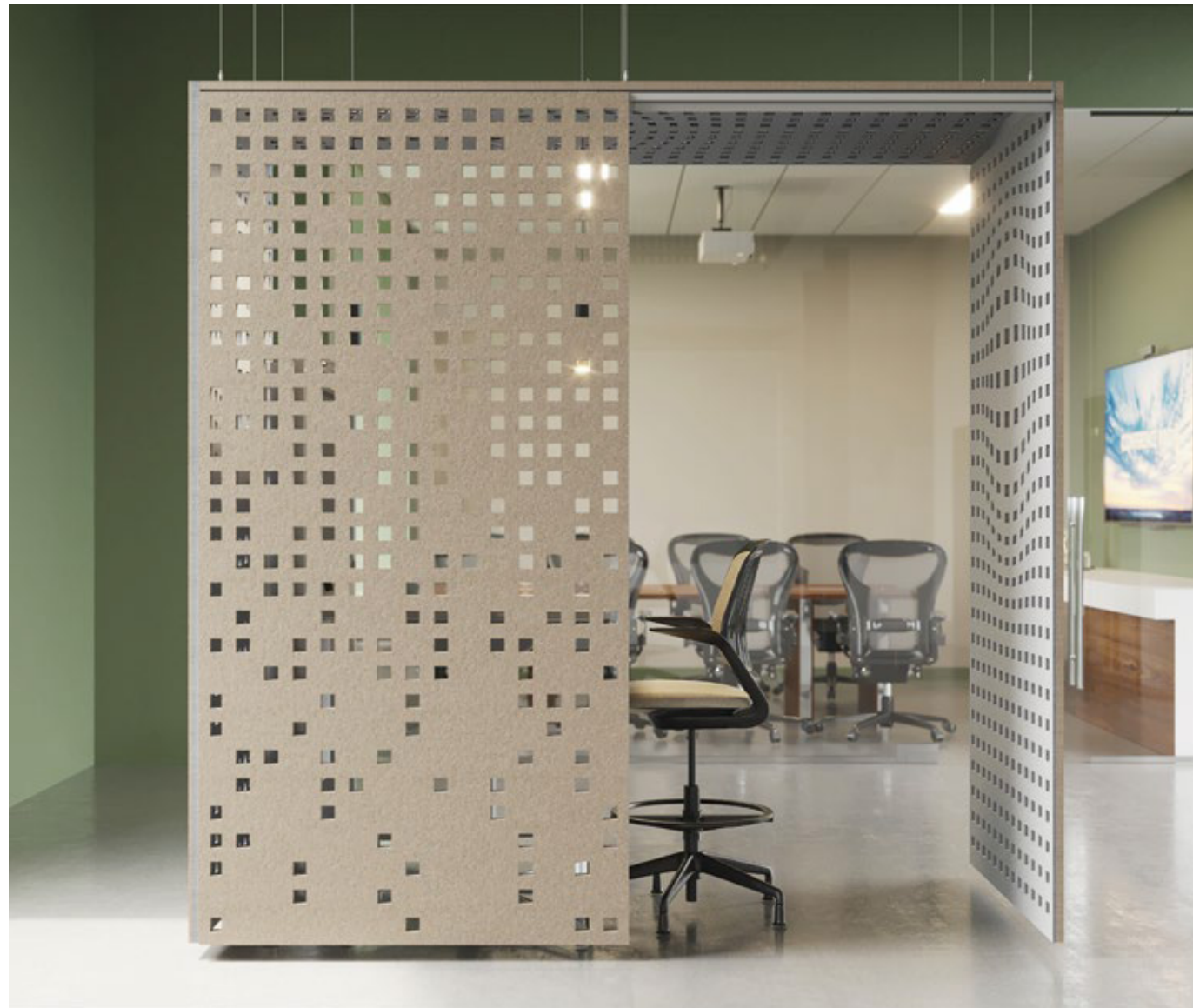
USGBC LEED V4 CREDITS

While individual products do not 'earn' LEED credits, ezoBord can contribute to the following LEED v4 Credits. Please refer to the USGBC LEED credit guides for detailed requirements.

- EQc9 for enhancing acoustic performance
- MRc3 BPDO for sourcing of raw materials for recycled contribution
- EQc6 interior lighting for surface reflectance (lighter color options).

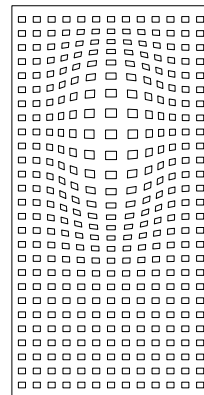


Moss Provided by Quiet Earth Moss™

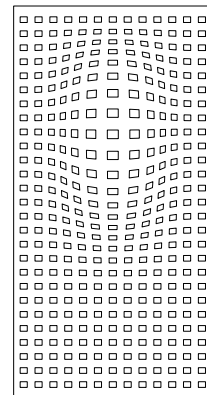


OPTIONAL PATTERNS

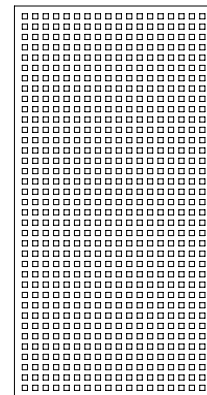
CHEVRON



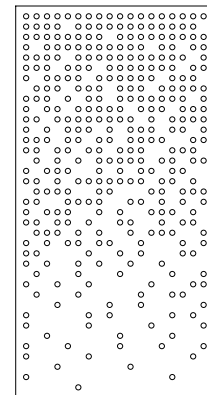
**RECTANGULAR
UNDULATION**



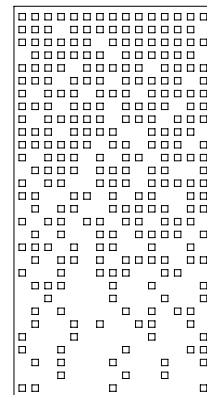
SQUARES



**PIXELATED
CIRCLES**



**PIXELATED
SQUARES**



Custom patterns available upon request. / Ceiling patterns may vary./ Walls could be treated as "ezo on ezo" (cut through) or solid. Contact our design team for more information.



Moss Provided by Quiet Earth Moss™

COLOR & FINISHES

COLORS 3/8" (9MM)



COLORS 1/2" (12MM)



ENVIRONMENT

Our Commitment to the Environment

There are approximately 50 billion water bottles consumed around the world each year, and only about half of those get recycled. The rest end up in landfills, littered through our neighborhoods, or floating in our oceans.

Bottled water consumption has more than doubled since 2000; in 2015 there was the equivalent of more than 5 bottles of water consumed for every person in the USA every single week. This, of course, means that the amount of oil required to produce the energy used for the water bottling process continues to grow.

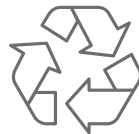
In 2007, the last year global statistics of oil consumption were available, between 32 million and 54 million barrels of oil were used to produce the bottled water that was consumed in the USA alone. This energy is used to make the bottles from PET pellets (1 million tons in the USA), treat water, bottle the water, label the bottles, and transport the bottled water. Most of the energy consumption occurs in the creation of the bottles themselves. To help in the lifecycle of this plastic product, we have chosen to manufacture our material so that it recycles these PET bottles. We are doing our part to reduce the waste. This acoustical and tackable material is made from PET bottles in a zero-waste process with postindustrial recycling. An environmentally friendly, sustainable, and waste reduced alternative to traditional acoustical/tackable material that looks great in any office, education, or open space installation.

ezoBord is



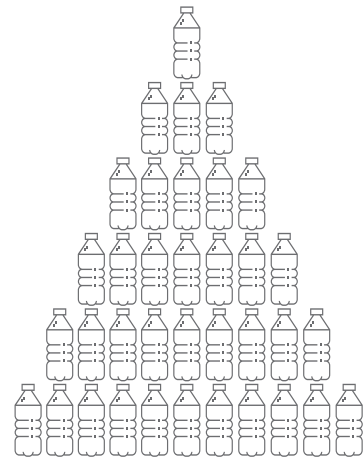
- low VOC
- formaldehyde free

DID YOU KNOW...



For every pound of recycled PET bottles (approximately 23) energy use is reduced by 84% and greenhouse gas emissions are reduced by 71%.

± 166 PET BOTTLES



are used to make one 9mm thick ezoBord sheet





DESIGN
DRIVEN
ACOUSTICS

UNITED STATES

Ayrsonics Mid West LLC

170 Prairie Lake Rd
East Dundee, IL 60118
1-800-517-0686
sales@mw.ayrsonics.com

Ayrsonics Southwest LLC

1700 1st Street
San Fernando, CA 91340
213-833-9700
sales@sw.ayrsonics.com

Ayrsonics New England LLC

32 Hampshire Rd
Salem, NH 03079
603-824-9338 ext. 3001
603-327-4349
sales@ne.ayrsonics.com

CANADA

Ayrsonics Inc - Ontario

825 Trillium Drive
Kitchener, Ontario N2R 1J9
1-844-441-1122
sales@ayrsonics.com

Ayrsonics Inc - Alberta

#9112 – 52nd St. S.E.
Calgary, Alberta T2C 5A9
1-844-441-1122
sales@ayrsonics.com

EzoBord Corporate Office

6845 Rexwood Road,
Unit 7 Mississauga,
ON L4V 1S5 Canada
+1 416 665 3571
info@ezobord.com

CENTRAL & LATIN AMERICA

EzoBord Costa Rica SRL

100 Sur 25 Oeste Recope
Bodega #18 Ochomogo, Cartago
+506 8842 4613
info-latam@ezobord.com

EzoBord - LATAM

Buenos Aires, Argentina
+54 9 11 5657 1793
info-latam@ezobord.com

UNITED KINGDOM

EzoBord UK Ltd

Unit 20 Westwood Business Park
Margate, Kent. CT9 4JJ
+44 1843 264027
sales@ezobord.co.uk

IRELAND

EzoBord Ireland

Unit 523, Greenogue Business Park
Rathcoole, Co. Dublin D24 RY89
+353 (0)1 443 3599
sales@ezobord.ie

FOLLOW US

